

SPEAKMAN COMPANY

VPL (Area Light) & VPL-C1D2 (Hazardous Area Light) Installation, Maintenance & Operation Instructions

DESCRIPTION

Non-Hazardous (VPL-CLEAR)

Non-metallic, incandescent type light with pendent type 3/4" NPT male connection, and clear globe. Suitable for wet locations (NEMA 4X). Rated for use with 125°F minimum supply wire.

Hazardous (VPL-CLEAR-C1D2)

Non-metallic, fluorescent type light with pendent type 3/4" NPT male connection, and clear globe. Suitable for wet locations (NEMA 4X). Rated for use with 140°F minimum supply wire.

SPECIFICATIONS

LIGHT FIXTURE BODY: Glass-Filled Thermoplastic Polyester.

LAMP:

Non-Hazardous (VPL-CLEAR): 60watt, 120 volt incandescent lamp. (Maximum lamp wattage 150 watt)

Hazardous (VPL-CLEAR-C1D2): 18watt quad tube fluorescent lamp.

GLOBE: Glass, Clear.

OPTIONS

The area lights are also available with Amber, Blue, Green, and Red globes and should be ordered as follows:

◇ VPL-AMBER	◇ VPL-AMBER-C1D2
◇ VPL-BLUE	◇ VPL-BLUE-C1D2
◇ VPL-GRN	◇ VPL-GRN-C1D2
◇ VPL-RED	◇ VPL-RED-C1D2

“TYPICAL” INSTALLATION

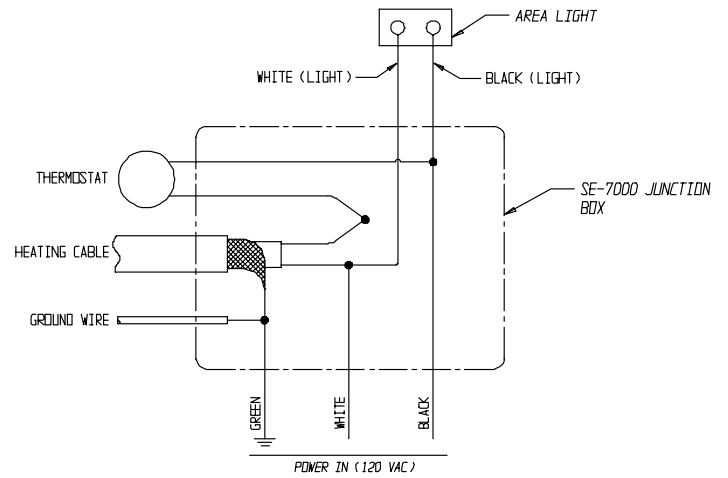
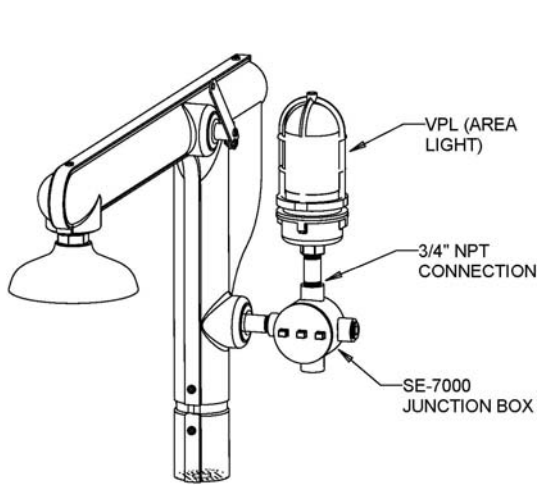
**** IMPORTANT **: TURN ALL ELECTRICAL POWER TO UNIT OFF BEFORE MOVING FORWARD !!!!!**

Both the non-hazardous & hazardous lights are assembled by connecting them to a 3/4" NPT female connection, junction box, sealing fitting (C1D2), etc. Feed wires into junction, etc. and apply thread locker/sealant to 3/4" NPT male thread, and tighten threaded connection while making sure the (2) supply wires do not get tangled, scared, or nicked. Temporarily taping the (2) wires together helps in avoiding this potential damage. *When tightening, do so by grabbing the galvanized conduit with pipe wrench, etc. Do not grab non-metallic light fixture to tighten.* Once connection is tight and light is positioned accordingly. Remove tape from (2) light wires and **make electrical connection following all local, and NEC electrical codes.** Re-attach all junction box covers, etc. and turn power on. Once power is turned on the area light should illuminate.

“RETRO-FIT SE-7000” INSTALLATION

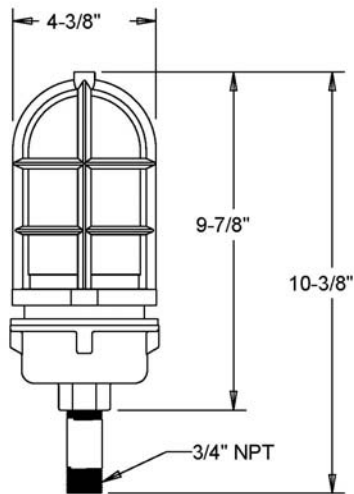
**** IMPORTANT **: TURN ALL ELECTRICAL POWER TO UNIT OFF BEFORE MOVING FORWARD !!!!!**

Both the non-hazardous & hazardous lights are assembled by connecting them to the 3/4" NPT female top outlet connection on the SE-7000 junction box. Feed the (2) light wires into the top outlet of the SE-7000 junction box, and apply thread locker/sealant to 3/4" NPT male thread on light conduit, and tighten threaded connection while making sure the (2) supply wires do not get tangled, scared, or nicked. Temporarily taping the (2) wires together helps in avoiding this potential damage. *When tightening, do so by grabbing the galvanized conduit with pipe wrench, etc. Do not grab non-metallic light fixture to tighten.* Once connection is tight and light is positioned accordingly. Remove tape from (2) light wires and **make electrical connections using the wiring schematic below, and following all local, and NEC electrical codes.** Re-attach all junction box covers, etc. and turn power on. Once power is turned on the area light should illuminate.

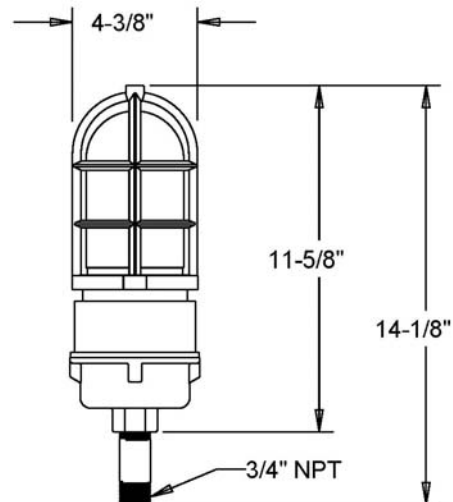


SE-7000 with VPL CONFIGURATION & WIRING SCHEMATIC

ROUGH IN DIMENSIONS



VPL ROUGH-IN



VPL-C1D2 ROUGH-IN

MAINTENANCE

The light should not require maintenance, other than the occasional light bulb replacement. Should you need parts to repair this unit, please reference the parts listing below for correct part numbers. **WARNING: Use only genuine Speakman parts when repairing or replacing components. To order parts call 1-800-537-2107.**

VPL & VPL-C1D2 REPLACEMENT/REPAIR PARTS

<u>PART/GROUP #</u>	<u>DESCRIPTION</u>
76-0093	Clear Globe
76-0133	Amber Globe
76-0134	Blue Globe
76-0031	Green Globe
76-0095	Red Globe
76-0089	18 watt Quad-Tube (VPL-C1D2 only)